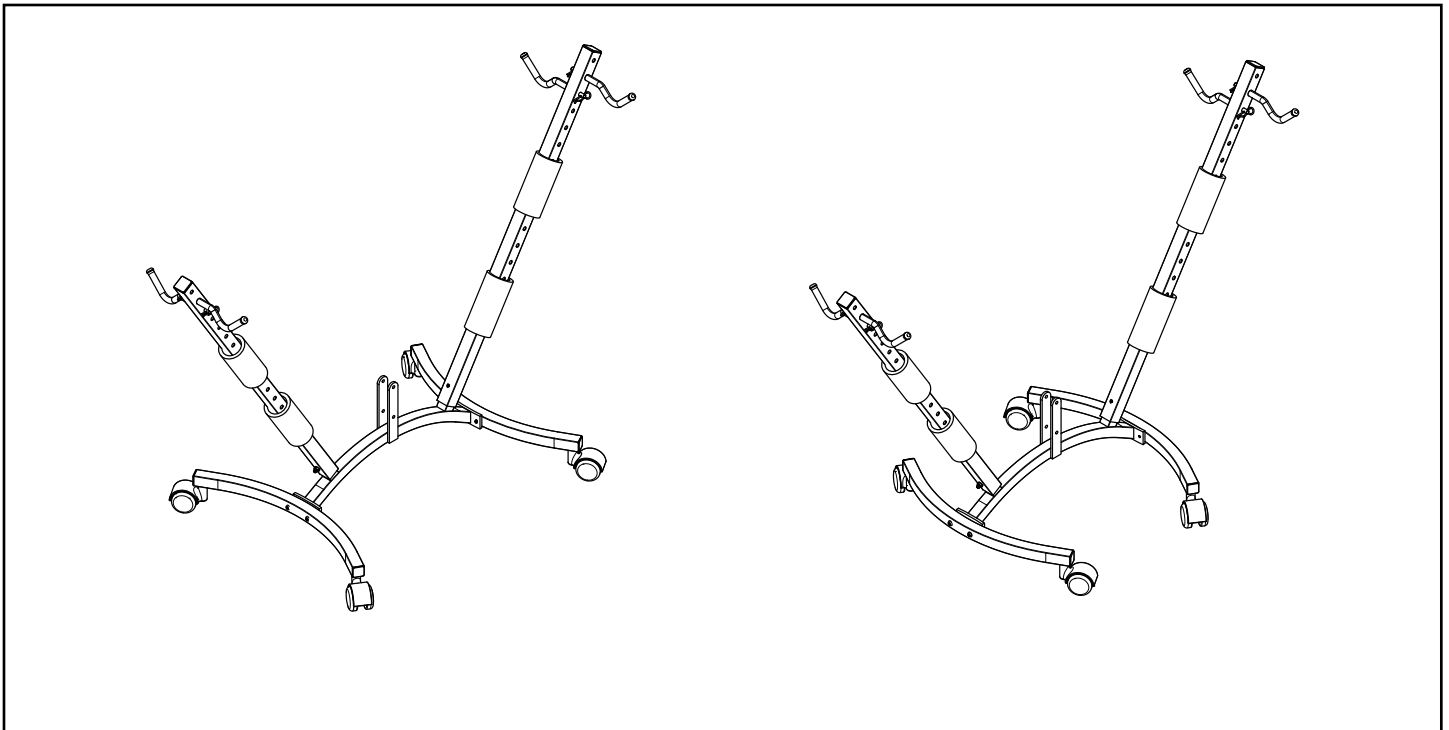


# PRODUCT MANUAL

## ASSEMBLY, INSTALLATION, AND OPERATION INSTRUCTIONS



### PARTS

QTY. DESCRIPTION

<b>A</b>	1	BASE
<b>B</b>	2	LEG
<b>C</b>	6	6MM BOLT
<b>D</b>	2	6MM NUT
<b>E</b>	2	WING SUPPORT ARMS
<b>F</b>	4	WHEEL CRADLE
<b>G</b>	4	RETAINER CLIP

**To register your product, visit  
[LetsGoAero.com/registration](http://LetsGoAero.com/registration).**

For More Information & Accessories:

Visit our Website - [www.LetsGoAero.com](http://www.LetsGoAero.com)

For Technical Support & Product Questions Contact Us at:

877-464-2376 or 719- 630-3800, Email: [Support@LetsGoAero.com](mailto:Support@LetsGoAero.com)  
Let's Go Aero, Inc. 4474 Barnes Road Colorado Springs, CO 80917, USA

Patent and trademark protected.  
Patent Number 8,889,456; Patents Pending.

**NOTICE:** All Manual information is subject to change without notice. Revised editions will be available for free download at [LetsGoAero.com](http://LetsGoAero.com). Manual information is considered factual until made obsolete by a revised version.

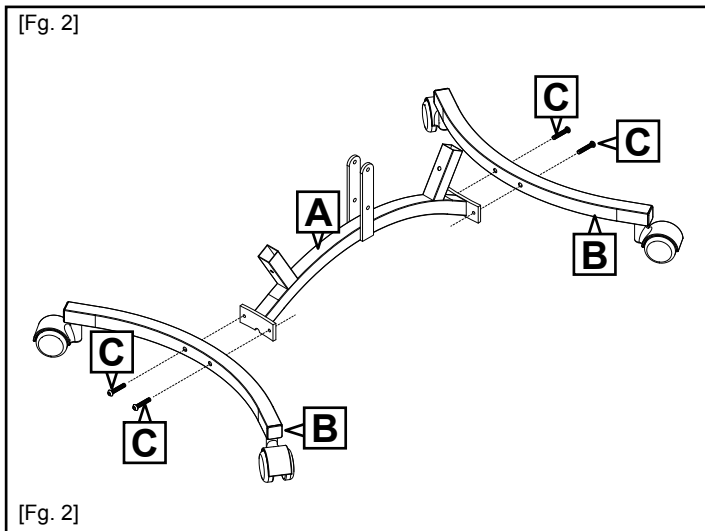
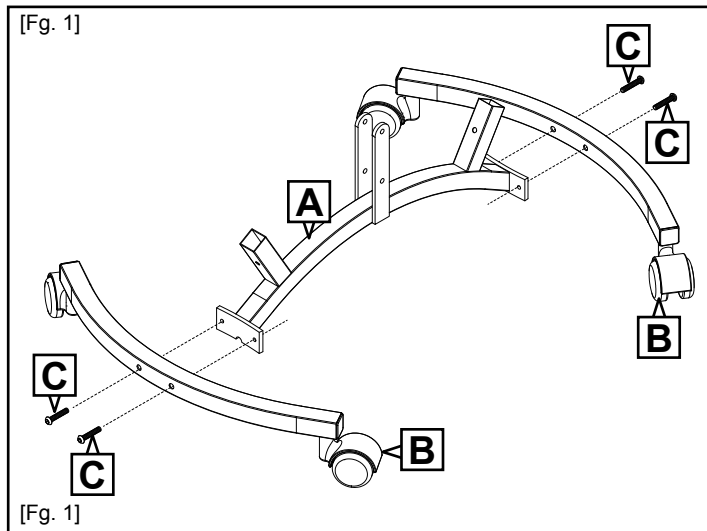
Follow this QR-Code or visit  
[LetsGoAero.com/manuals](http://LetsGoAero.com/manuals) to check for an updated version:



## STEP 1:

The Leg's [B] can be installed facing either inwards or outwards based on user preference.

Connect both Legs [B] to the Base [A] using two (2) 6mm Bolts [C] to secure each Leg as shown. [Fig. 1 & 2]

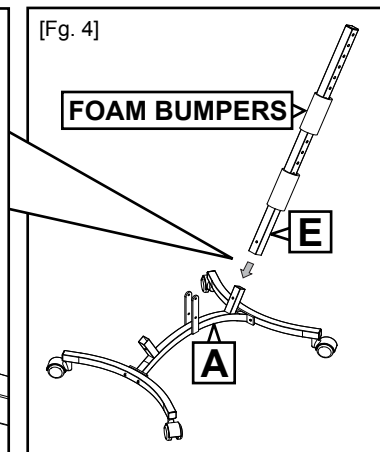
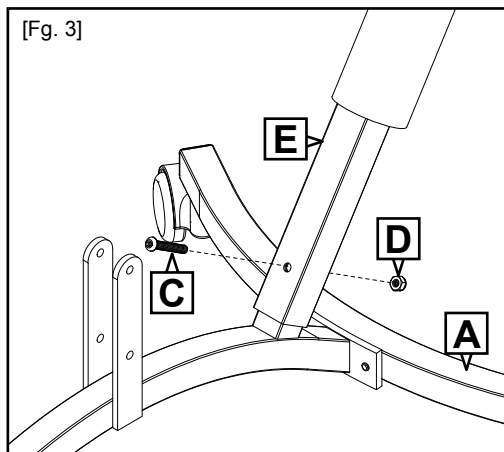


## STEP 2:

Slide the Foam Pads on the Wings [E] down to reveal the holes near the edge of the Wing.

Align the holes on the edge of the Wing [E] with holes located on the Base [A]. [Fig. 4]

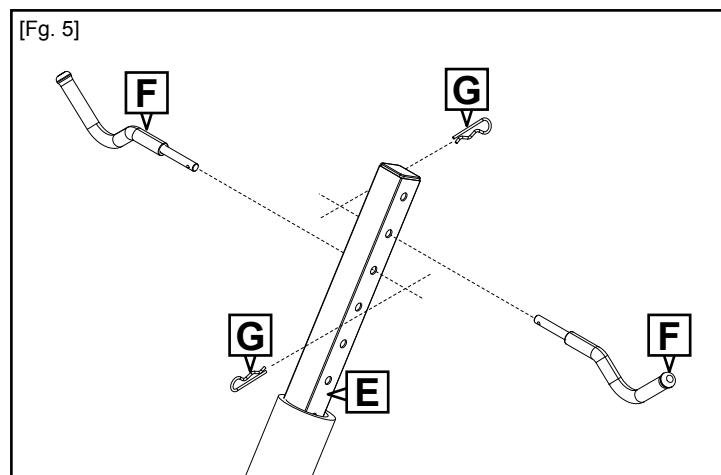
Secure the Wings [E] to the Base [A] using one (1) 6mm Bolt [C] and one (1) 6mm Nut [D] per Wing as shown. [Fig. 3]



## STEP 3:

Using the holes located at the top of the Wing [E], insert two (2) Wheel Cradles [F] into the Wing *facing in opposite directions*.

Secure each Wheel Cradle [F] with a Retainer Clip [G]. [Fig. 5]



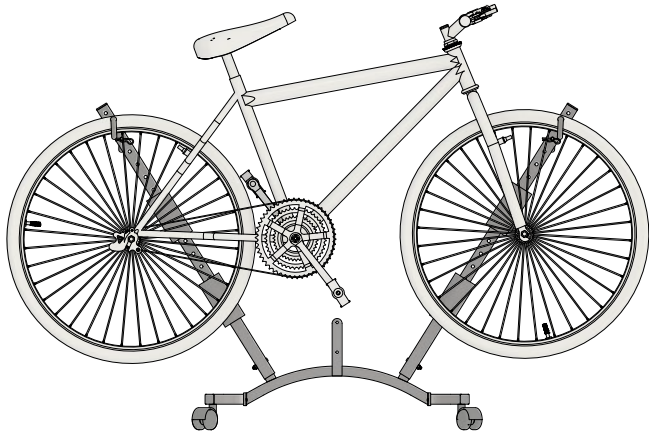
## OPERATION: BICYCLE MOUNTING

Hang bicycles by the tires on the Wheel Cradles [F] with the chain rings to the outside. [Fig. 6 & 7]  
Adjust the Foam Bumpers located on the Wings [E] to protect the frame of the bicycle.

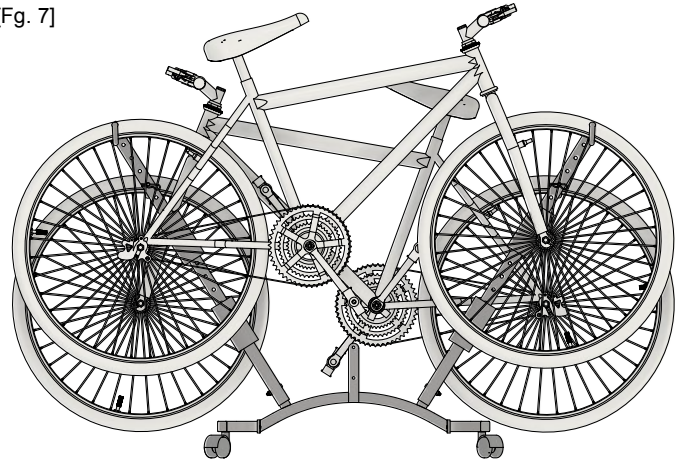
**IMPORTANT:** For two bicycles, position the bicycles facing in opposite directions (front-to-back/back-to-front) with the chain ring to the outside.

Some adjustment of the Wheel Cradles may be necessary in order to accommodate both bicycles.

[Fig. 6]



[Fig. 7]



### ▲ CAUTION:

Never exceed the maximum 60 lbs per bicycle weight rating. Do not stand/sit or use the V-Tree for any other purpose than intended.

## LET'S GO AERO LIMITED LIFETIME WARRANTY

If a Let's Go Aero bike rack is found to have a defect in workmanship or material over the lifetime of the original purchaser, Let's Go Aero will repair or replace the defect free of charge. This warranty terminates if a purchaser transfers the product to any other person. The warranty does not cover damage or wear which occurs as a result of day to day use or general wear and tear. No warranty is given for defects caused by normal wear and tear, cosmetic rust, scratches, accidents, unlawful vehicle operation, or modification of, or any types of repair of, a load carrier system other than those authorized by Let's Go Aero.

No warranty is given for defects resulting from conditions beyond Let's Go Aero's control including, but not limited to, misuse, overloading, or failure to assemble, mount or use the product in accordance with Let's Go Aero's written instructions or guidelines included with the product or made available to the purchaser.

Subject to the limitations and exclusions described in this warranty, Let's Go Aero will remedy defects in materials or workmanship by repairing or replacing any parts diagnosed to be at issue without charge for parts or labor. In the event that a product is defective, the purchaser should contact the Let's Go Aero dealer from whom the product was purchased. If the dealer is not able to correct the defect, the purchaser should contact Let's Go Aero in writing to [Support@LetsGoAero.com](mailto:Support@LetsGoAero.com) or by phone at 877-464-237 or 719-630-3800.

In the event that a product needs to be returned to Let's Go Aero, a Let's Go Aero technician will provide the purchaser with the appropriate mailing address and any additional instructions. Proof of purchase in the form of an original purchase invoice or receipt, and a detailed description of the defect must be provided. Please note that a Return Merchandise Authorization (RMA) from Let's Go Aero is required for any returns.

DISCLAIMER OF LIABILITY REPAIR OR REPLACEMENT OF A DEFECTIVE PRODUCT OR THE ISSUANCE OF A REFUND OR CREDIT (AS DETERMINED BY LET'S GO AERO) IS A PURCHASER'S EXCLUSIVE REMEDY UNDER THIS WARRANTY. DAMAGE TO A PURCHASER'S VEHICLE, CARGO AND/OR TO ANY OTHER PERSON OR PROPERTY IS EXCLUDED.

THIS WARRANTY IS EXPRESSLY MADE IN LIEU OF ANY AND ALL OTHER WARRANTIES, EXPRESS OR IMPLIED, INCLUDING THE WARRANTIES OF MERCHANTABILITY AND FITNESS FOR A PARTICULAR PURPOSE.

LET'S GO AERO'S SOLE LIABILITY TO ANY PURCHASER IS LIMITED TO THE REMEDY SET FORTH ABOVE. IN NO EVENT WILL LET'S GO AERO BE LIABLE FOR ANY LOST PROFITS, LOST SALES, OR FOR ANY CONSEQUENTIAL, DIRECT, INDIRECT, INCIDENTAL, SPECIAL, EXEMPLARY, OR PUNITIVE DAMAGES OR FOR ANY OTHER DAMAGES OF ANY KIND OR NATURE.

SOME STATES DO NOT ALLOW THE EXCLUSION OR LIMITATION OF INCIDENTAL OR CONSEQUENTIAL DAMAGES, SO THE ABOVE LIMITATIONS MAY NOT BE APPLICABLE. THIS WARRANTY GIVES YOU SPECIFIC LEGAL RIGHTS, AND YOU MAY ALSO HAVE OTHER RIGHTS WHICH VARY FROM STATE TO STATE.